

## Product Features

- Compliant with IEEE Std 802.3ba, 100G Ethernet
- Compliant with QSFP28 MSA
- 4 x 25Gb/s CWDM transmitter
- 4 channels PIN photo detector
- Single +3.3V power supply
- Class 1 laser safety certified
- Power consumption less than 3.5W
- Commercial operating temperature:-5°C to +70°C
- Up to 2km on SMF
- RoHS-6 Compliant



## Applications

- 100G CWDM4 Ethernet links
- Data center

## Descriptions

LX8503CDR QSFP28 transceiver modules are designed for 100 Gigabit Ethernet over single mode fiber. They are compliant with the QSFP28 100G and IEEE 802.3ba. Digital diagnostics functions are available via the I2C interface, as specified by the QSFP28 MSA.

LX8503CDR are compliant with RoHS-6.

## Ordering Information

**Table 1. Ordering Information**

Part Number	Transmitter	Output Power	Receiver	Sensitivity	Reach	Temp	DDM	RoHS
LX8503CDR	CWDM DFB	-6.5~ +2.5dBm	PIN	< -10dBm	2km	-5~ 70 °C	Available	Compliant

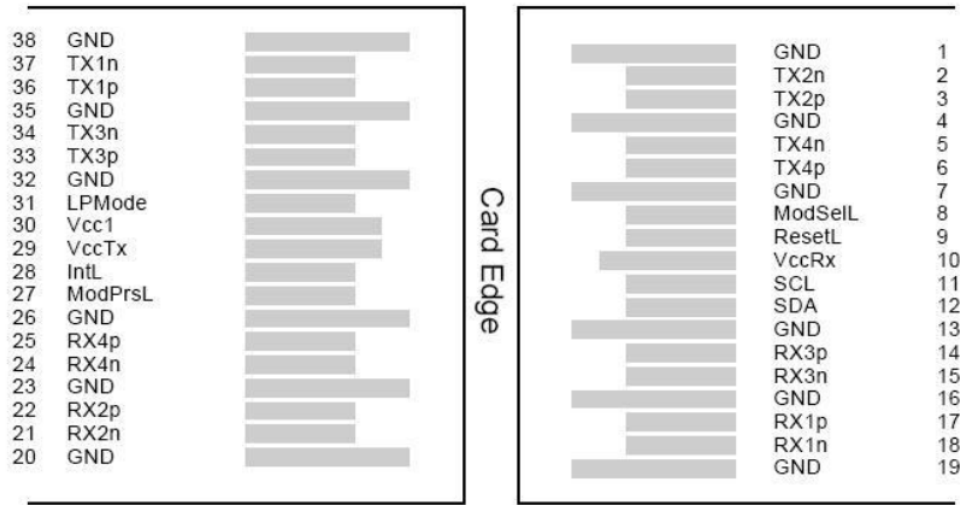
## Pin Description

**Table 2. Pin Description**

Pin	Name	Function/Description	Notes
1	GND	Transmitter Ground (Common with Receiver Ground)	1
2	Tx2-	Transmitter Inverted Data Input	
3	Tx2+	Transmitter Non-Inverted Data output	
4	GND	Transmitter Ground (Common with Receiver Ground)	1
5	Tx4-	Transmitter Inverted Data Input	
6	Tx4+	Transmitter Non-Inverted Data output	
7	GND	Transmitter Ground (Common with Receiver Ground)	1
8	ModSelL	Module Select	2
9	ResetL	Module Reset	2
10	VccRx	3.3V Power Supply Receiver	
11	SCL	2-Wire serial Interface Clock	2
12	SDA	2-Wire serial Interface Data	2
13	GND	Transmitter Ground (Common with Receiver Ground)	1
14	Rx3+	Receiver Non-Inverted Data Output	
15	Rx3-	Receiver Inverted Data Output	
16	GND	Transmitter Ground (Common with Receiver Ground)	1
17	Rx1+	Receiver Non-Inverted Data Output	
18	Rx1-	Receiver Inverted Data Output	
19	GND	Transmitter Ground (Common with Receiver Ground)	1
20	GND	Transmitter Ground (Common with Receiver Ground)	1
21	Rx2-	Receiver Inverted Data Output	
22	Rx2+	Receiver Non-Inverted Data Output	
23	GND	Transmitter Ground (Common with Receiver Ground)	1
24	Rx4-	Receiver Inverted Data Output	1
25	Rx4+	Receiver Non-Inverted Data Output	
26	GND	Transmitter Ground (Common with Receiver Ground)	1
27	ModPrsl	Module Present	
28	IntL	Interrupt	2
29	VccTx	3.3V power supply transmitter	
30	Vcc1	3.3V power supply	
31	LPMODE	Low Power Mode	2
32	GND	Transmitter Ground (Common with Receiver Ground)	1
33	Tx3+	Transmitter Non-Inverted Data Input	
34	Tx3-	Transmitter Inverted Data Output	
35	GND	Transmitter Ground (Common with Receiver Ground)	1
36	Tx1+	Transmitter Non-Inverted Data Input	
37	Tx1-	Transmitter Inverted Data Output	
38	GND	Transmitter Ground (Common with Receiver Ground)	1

**Notes:**

1. The module signal grounds are isolated from the module case.
2. This is an open collector/drain output that on the host board requires a 4.7KΩ to 10KΩ pull-up resistor to VccHost.



Top Side Bottom Side  
 Figure 1. Host PCB QSFP28 pad assignment top view

## Absolute Maximum Ratings

Stresses in excess of the absolute maximum ratings can cause permanent damage to the device. These are absolute stress ratings only. Functional operation of the device is not implied at these or any other conditions in excess of those given in the operational sections of the data sheet. Exposure to absolute maximum ratings for extended periods can adversely affect device reliability.

**Table 3. Absolute Maximum Ratings**

Parameter	Symbol	Minimum	Maximum	Unit
Storage Temperature	T <sub>s</sub>	-40	85	°C
Relative Humidity	RH	5	95	%
Supply Voltage	V <sub>CC</sub>	-0.5	4.0	V

## Recommended Operating Conditions

**Table 4. Recommended Operating Conditions**

Parameter	Symbol	Min	Typ	Max	Unit
Operating Case Temperature	T <sub>c</sub>	-5	25	70	°C
Supply Voltage	V <sub>CC</sub>	3.135	3.3	3.465	V
Data Rate PER Channel	-	-	25.78125	-	Gb/s

## Transceiver Electrical Characteristics

**Table 5. Transceiver Electrical Characteristics**

Parameter	Symbol	Minimum	Typical	Maximum	Unit	Notes
Module Supply Current	I <sub>CC</sub>	-	-	1100	mA	-
Power Dissipation	P <sub>D</sub>	-	-	3500	mW	-
<b>Transmitter</b>						
-Single-ended Input Voltage Tolerance	-	-0.3	-	4.0	V	-
Input Differential Impedance	Z <sub>IN</sub>	-	100	-	Ω	-
Differential Data Input Swing	V <sub>IN, P-P</sub>	190	-	700	mV <sub>P-P</sub>	-
AC Common Mode Input Voltage Tolerance	-	15	-	-	mV	-
Differential Input Voltage Swing Threshold	-	50	-	-	mV <sub>pp</sub>	-
<b>Receiver</b>						
Single-ended Output Voltage	-	-0.3	-	4.0	V	-
Output Differential Impedance	Z <sub>O</sub>	90	100	110	Ω	-
Differential Data Output Swing	V <sub>OUT, P-P</sub>	300	-	850	mV <sub>P-P</sub>	-
AC Common Mode Output Voltage	-	-	-	7.5	mV	-

## Transmitter Optical Characteristics

**Table 6. Transmitter Optical Characteristics**

Parameter	Symbol	Minimum	Typical	Maximum	Unit	Notes
Launch Optical Power per lane	P <sub>o</sub>	-6.5	-	+2.5	dBm	1
Total Launch Optical Power	P <sub>o</sub>	-	-	+8.5	dBm	1
Center Wavelength Range	L1	1264.5	1271	1277.5	nm	-
	L2	1284.5	1291	1297.5	nm	-
	L3	1304.5	1311	1317.5	nm	-
	L4	1324.5	1331	1337.5	nm	-
Extinction Ratio	EX	3.5	-	-	dB	2
Spectral width(-20dB)	$\Delta\lambda$	-	-	1	nm	-
Side Mode Suppression Ratio	SMSR	30	-	-	dB	-
Optical Return Loss Tolerance	ORLT	-	-	20	dB	-
Pout @TX-Disable Asserted	P <sub>off</sub>	-	-	-30	dBm	1
Eye Mask {X1, X2, X3, Y1, Y2, Y3}				{0.31, 0.4, 0.45, 0.34, 0.38, 0.4}		

**Notes:**

1. The optical power is launched into SMF.
2. Measured with a PRBS 2<sup>31</sup>-1 test pattern @25.78125Gbps.

## Receiver Optical Characteristics

**Table 7. Receiver Optical Characteristics**

Parameter	Symbol	Minimum	Typical	Maximum	Unit	Notes
Center Wavelength	L1	1264.5	1271	1277.5	nm	-
	L2	1284.5	1291	1297.5	nm	-
	L3	1304.5	1311	1317.5	nm	-
	L4	1324.5	1331	1337.5	nm	-
Sensitivity per Channel	S	-	-	-10.0	dBm	1
Damage Threshold(each channel)	POL	3.5	-	-	dBm	-
Optical Return Loss	ORL	26	-	-	dB	-
LOS De-Assert	LOSD	-	-	-11.5	dBm	-
LOS Assert	LOSA	-24	-	-	dBm	-
LOS Hysteresis	-	0.5	-	-	dB	-

**Notes:**

1. Measured with PRBS 2<sup>31</sup>-1 test pattern, 25.78125Gb/s, BER 5.0E-5;

## Recommended Host Board Power Supply Filter Network

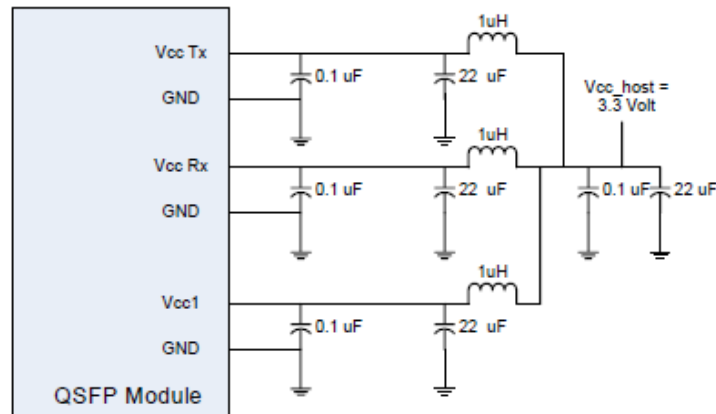


Figure 2. Recommended Host Board Power Supply Filter Network

## Recommended Application Interface Block Diagram

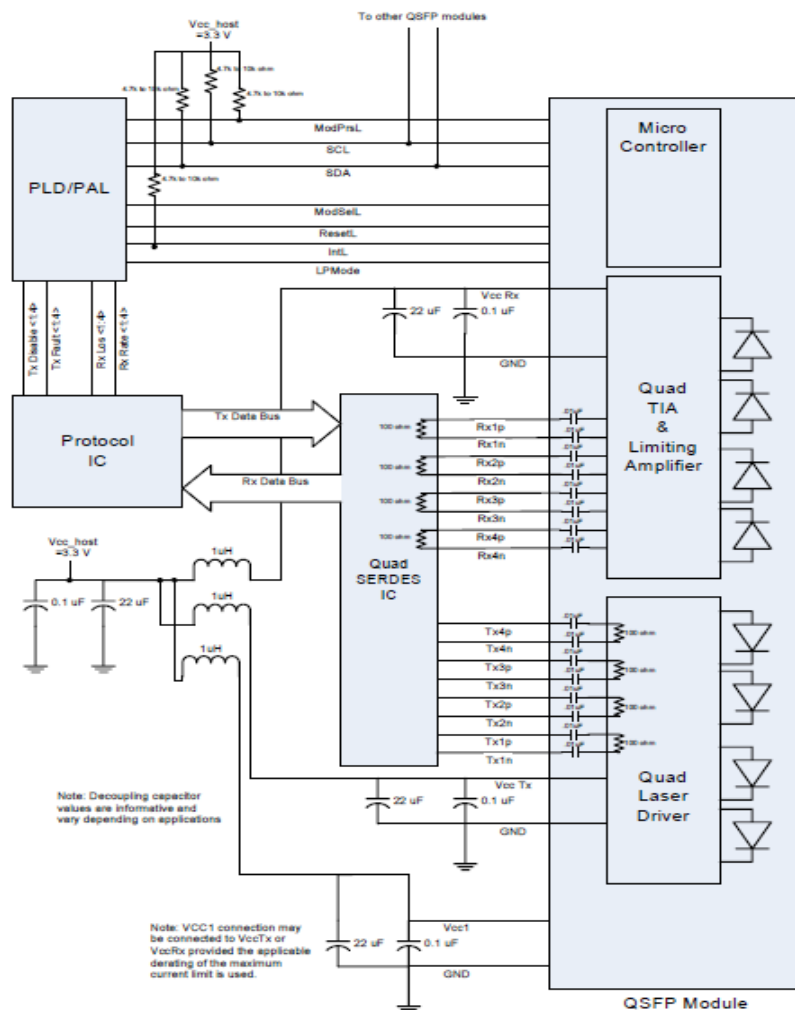


Figure 4. Recommended Application Interface Block Diagram

## Mechanical specifications

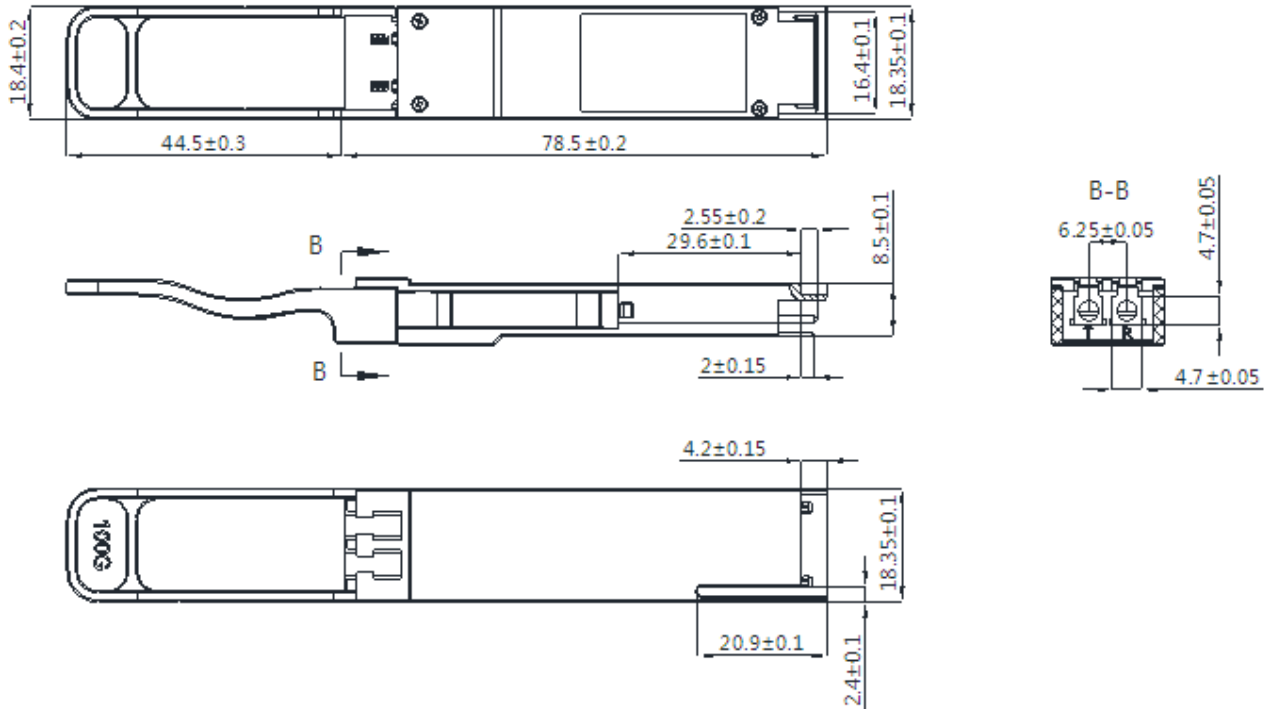


Figure 5. Outline Drawing

## **For More Information**

### **Linktel Technologies Co., Ltd**

sales@linkteltech.com

<http://www.linkteltech.com>

### **Linktel China**

No. 20, University Science Park Road,

East Lake Hi-tech Development Zone, Wuhan, 430223, China

Tel: +86 27-87929302

### **Linktel USA**

3311 Ingersoll Cout. , San Jose, CA 95148

Tel: +1(408)833-9142

linktelus@linkteltech.com