

## Product Features

- Industry standard SFF package
- Up to 622Mbps data links
- Duplex LC connector compliant
- Uncooled 1550nm DFB laser
- Class 1 laser safety certified
- Single +3.3V DC power supply
- SFF 2x5 metallic package
- Operating temperature Options:  
-(Commercial) -10°C to +70°C
- Up to 80km on SMF
- RoHS6 Compliant



## Applications

- SDH STM-4 L-4.2 systems
- SONET OC-12 LR-1 systems

## Descriptions

LX7464CNR is a fiber optical transceiver compatible with SFF MSA, The Module is Full compliance with the optical performance requirements of ITU-T G.957 SDH STM-4 L-4.2 and Telcordia GR-253 SONET OC-12 LR-2.

LX7464CNR optical transceivers integrate 1550nm DFB laser and wide band PIN for full-duplex communication. While the transmitter section and the Receiver section operate separately in the module.

LX7464CNR are compliant with RoHS.

## Ordering Information

**Table 1. Ordering Information**

Part Number	Transmitter	Output Power	Receiver	Sensitivity	Reach	Temp	RoHS
LX7464CNR	1550nm DFB	-2 ~ +3dBm	PIN	< -28dBm	80km	-10 ~ 70°C	Compliant

## Pin Description

**Table 2. Pin Description**

Pin	Name	Function/Description	Notes
1	Rx GND	Receiver ground	-
2	Rx VCC	Receiver power supply	4

3	SD	LVTTTL Signal detection output, internally pull up. Asserts high when input optical power level is above threshold	2
4	RD-	Receiver data output-, AC coupled internally	3
5	RD+	Receiver data output+, AC coupled internally	3
6	Tx VCC	Transmitter power supply	4
7	Tx GND	Transmitter ground	-
8	Tx DIS	Transmitter Disable. Laser output disabled on high or open	1
9	TD+	LVPECL Data input+ ,AC coupled internally	5
10	TD-	LVPECL Data input- ,AC coupled internally	5
F	MS	Mounting Studs, chassis grounded or N/C	6

**Notes:**

- Tx DIS input is used to shut down the laser output per the state table below. It is pulled up within the module with a 4.7KΩ-10KΩ resistor.

Low (0 – 0.8V):	Transmitter on
Between (0.8V and 2V):	Undefined
High (2.0 – VccT):	Transmitter Disabled
Open :	Transmitter Disabled
- SD (signal detected) is an open collector/drain output which should be pulled up Internally with a 4.7KΩ-10KΩ resistor to supply <math>V\_{ccT}+0.3V</math> or <math>V\_{ccR}+0.3V</math>. When low, this output indicates the received optical power is below the worst case receiver sensitivity (as defined by the standard in use). High indicates normal operation. In the low state, the output will be pulled to <math><0.8V</math>.
- RD-/+ : These are the differential receiver outputs. They are AC coupled 100Ω differential lines which should be terminated with 100Ω differential at the user SERDES. The AC coupling is done inside the module and thus not required on the host board.
- VccR and VccT are the receiver and transmitter power supplies. They are defined as 3.3V±5% at the SFF connector pin. The in-rush current will typically be no more than 30mA above steady state supply current after 500ns.
- TD-/+ : These are the differential transmitter inputs. They are AC coupled differential lines with 100Ω differential termination inside the module. The AC coupling is done inside the module and is thus not required on host board.
- The mounting Studs are provided for module mechanical attachment to host board. They may also provide an optional connection of the module to the equipment chassis ground to improve EMI/EMC performance.

## Absolute Maximum Ratings

Stresses in excess of the absolute maximum ratings can cause permanent damage to the device. These are absolute stress ratings only. Functional operation of the device is not implied at these or any other conditions in

excess of those given in the operational sections of the data sheet. Exposure to absolute maximum ratings for extended periods can adversely affect device reliability.

**Table 3. Absolute Maximum Ratings**

Parameter	Symbol	Minimum	Maximum	Unit
Storage Temperature	T <sub>s</sub>	-40	85	°C
Relative Humidity	RH	5	95	%
Supply Voltage	V <sub>cc</sub>	-0.5	4.0	V
Lead Solder Temperature		-	280	°C
Lead Solder Duration		-	5	S

## Recommended Operating Conditions

**Table 4. Recommended Operating Conditions**

Parameter	Symbol	Min	Typ	Max	Unit
Operating Temperature	T <sub>c</sub>	-10	25	70	°C
Supply Voltage	V <sub>cc</sub>	3.135	3.3	3.465	V
Data Rate	-	-	622	-	Mb/s

## Transceiver Electrical Characteristics

**Table 5. Transceiver Electrical Characteristics**

Parameter	Symbol	Minimum	Typical	Maximum	Unit	Notes
Module Supply Current	I <sub>cc</sub>	-	-	220	mA	-
Transmitter Differential Input Voltage (TD +/-)	-	200	-	2200	mV <sub>P-P</sub>	1
Receiver Differential Output Voltage (RD +/-)	-	600	-	1200	mV <sub>P-P</sub>	2
Low speed output: Signal Detected (SD)	VOH	2.0	-	V <sub>cc</sub>	V	3
	VOL	0	-	0.8	V	-
Low speed iutput: Transmitter Enable (TX_DIS)	VIH	2.0	-	V <sub>cc</sub>	V	4
	VIL	0	-	0.8	V	-

**Notes:**

- Internally AC coupled and terminated to 100Ω differential load.
- Internally AC coupled, but requires a 100Ω differential termination or internal to Serializer/Deserializer.
- Pulled up internally with a 4.7KΩ-10KΩ resistor in the module to V<sub>CCTR</sub>.
- TX\_DIS pulled up Internally with a 4.7KΩ-10KΩ resistor in the module to V<sub>CCTR</sub>.

## Transmitter Optical Characteristics

**Table 6. Transmitter Optical Characteristics**

Parameter	Symbol	Minimum	Typical	Maximum	Unit	Notes
-----------	--------	---------	---------	---------	------	-------

Launch Optical Power	P <sub>o</sub>	-2	-	+3	dBm	-
Center Wavelength Range	λ <sub>c</sub>	1510	1550	1580	nm	-
Extinction Ratio	EX	9	-	-	dB	-
Spectral Width (-20dB)	Δλ	-	-	1	nm	-
Total Jitter	TJ			0.1	UIp-p	
Optical Rise/Fall Time	T <sub>rise</sub> /T <sub>fall</sub>	-	-	400ps	dB	-
P <sub>out</sub> @TX-Disable Asserted	P <sub>off</sub>	-	-	-45	dBm	-
Eye Diagram	ITU-T G.957 STM-4 and Telcordia GR-253-CORE OC-12 compatible					

## Receiver Optical Characteristics

**Table 7. Receiver Optical Characteristics**

Parameter	Symbol	Minimum	Typical	Maximum	Unit	Notes
Receiver Sensitivity@ Gigabit Ethernet	S	-	-	-28	dBm	1
Receiver Overload	P <sub>OL</sub>	-3	-	-	dBm	1
Optical Return Loss	ORL	12	-	-	dB	-
SD De-Assert	SD <sub>D</sub>	-	-	-29	dBm	-
SDAssert	SD <sub>A</sub>	-45	-	-	dBm	-
SD Hysteresis	-	0.5	3	5	dB	-

**Notes:**

1. Measured with PRBS 2<sup>23</sup>-1 test pattern, 622Mb/s, EX=10dB, BER<10<sup>-12</sup>.

## Required Host Board Components

The MSA power supply noise rejection filter is required on the host PCB to meet data sheet performance. The MSA filter incorporates an inductor which should be rated 400mA DC and 1Ω serial resistance or better. It should not be replaced with a ferrite. Figure 1 shows the recommended host board power supply circuit.

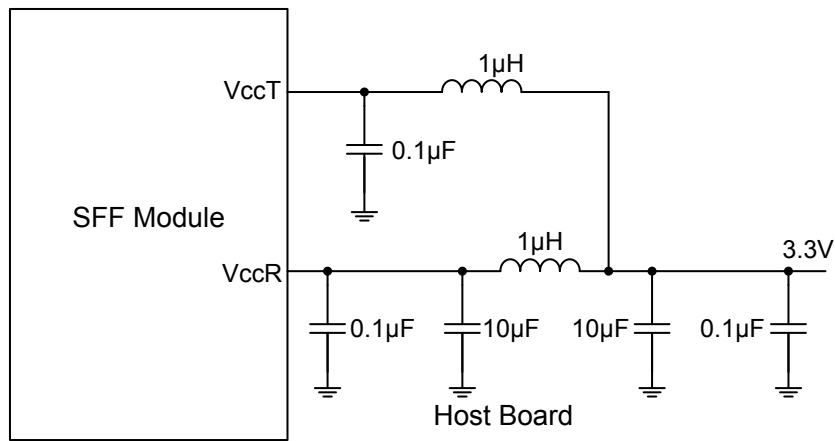


Figure1. Recommended Host Board Power Supply Circuit

## Recommended Application Interface Circuit

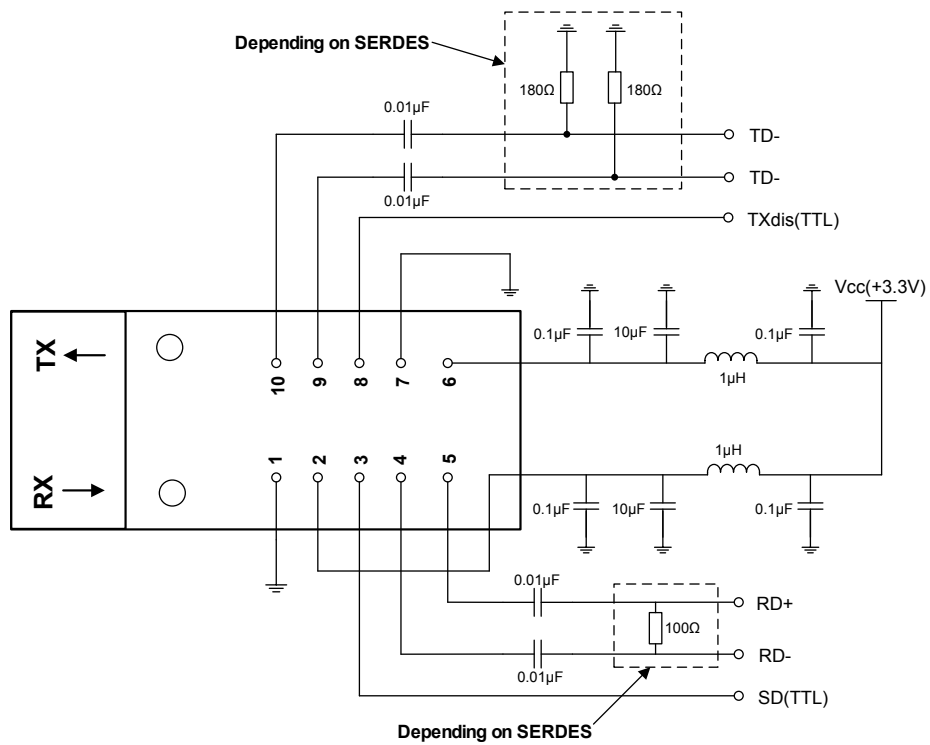


Figure 2. Recommended Application Interface Circuit

## Mechanical specifications

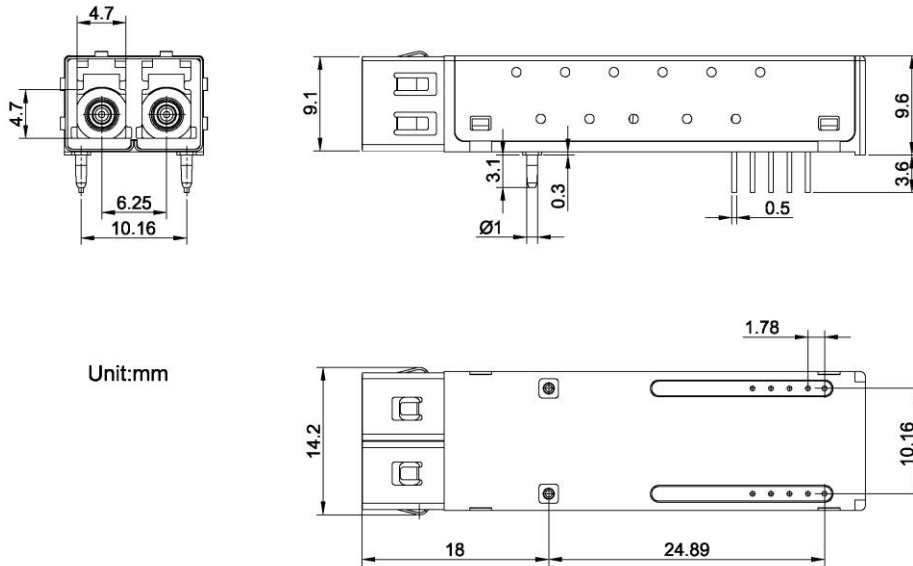


Figure 3. Outline Drawing



**LX7464CNR**  
**622Mb/s SFF Optical Transceiver**  
**SDH STM-4 L-4.2/SONET OC-12 LR-1**

---

## **For More Information**

Linktel Technologies Co., Ltd

[sales@linkteltech.com](mailto:sales@linkteltech.com)

<http://www.linkteltech.com>

### **Linktel China**

No 20 University Science Park Road, East-Lake Hi-tech Development Zone, Wuhan, China

Tel: +86 27-87929302

### **Linktel USA**

3391 Ingersoll Ct., San Jose, CA 95148

Tel: +1-408-2613988