

Product Features

- Hot pluggable X2 MSA form factor
- Wavelength selectable covering CWDM grid wavelengths
- Hot Pluggable 70-PIN Connector with XAUI Electrical Interface
- SC Duplex Optical Receptacle
- Cooled EA-DFB Laser
- Full duplex transmission mode
- Digital Optics Monitoring
- Management and control via MDIO 2-wire bus
- Power Supply :+5.0V,+3.3V, APS(+1.2V)
- Commercial operating temperature:0°C to +70°C
- Up to 80Km on 9/125μm SMF
- RoHS Compliant



Applications

- 80Km 10G CWDM Network

Descriptions

LX535xCDR is a high performance and cost effective optical transponder module. It consists of 10.3Gbit/s cooled EML optical transmitter and APD receiver, 4x3.125Gbps Ethernet Signal input XAUI interface, Mux and Demux with clock and data recovery (CDR). Digital diagnostics functions are available via MDIO 2-wire bus, They meet the requirements for 80km 10G CWDM Network and X2 MSA Rev2.0b.

LX535xCDR is compliant with RoHS.

Ordering Information

Table 1. Ordering Information

Part Number	Transmitter	Output Power	Receiver	Sensitivity	Reach	Temp	DDM	RoHS
LX5351CDR	1471nm EML	0 ~ +4dBm	APD	< -24.0dBm	80Km	0 ~ 70°C	Available	Compliant
LX5352CDR	1491nm EML	0 ~ +4dBm	APD	< -24.0dBm	80Km	0 ~ 70°C	Available	Compliant
LX5353CDR	1511nm EML	0 ~ +4dBm	APD	< -24.0dBm	80Km	0 ~ 70°C	Available	Compliant
LX5354CDR	1531nm EML	0 ~ +4dBm	APD	< -24.0dBm	80Km	0 ~ 70°C	Available	Compliant
LX5355CDR	1551nm EML	0 ~ +4dBm	APD	< -24.0dBm	80Km	0 ~ 70°C	Available	Compliant
LX5356CDR	1571nm EML	0 ~ +4dBm	APD	< -24.0dBm	80Km	0 ~ 70°C	Available	Compliant
LX5357CDR	1591nm EML	0 ~ +4dBm	APD	< -24.0dBm	70Km	0 ~ 70°C	Available	Compliant
LX5358CDR	1611nm EML	0 ~ +4dBm	APD	< -24.0dBm	70Km	0 ~ 70°C	Available	Compliant

Electrical Pin Description

Table 2. Electrical Pin Description

Pin	Logic	Symbol	Name/Description
1	-	GND	Electrical Ground
2	-	GND	Electrical Ground
3	-	GND	Electrical Ground
4	-	5.0V	Power Supply
5	I	3.3V	Power Supply
6	I	3.3V	Power Supply
7	I	APS	Adaptive power supply
8	I	APS	Adaptive power supply
9	Open Drain-O	LASI	Link Alarm Status Interrupt. 10-22K Ω resistor pull-up to 1.2V on host Logic High: Normal Operation; Logic low: Link Alarm is indicated
10	Open Drain-I	RESET	Low active Reset input ,10K Ω pull-up inside Transponder Logic High: Normal Operation; Logic low: Reset asserted
11	-	VEND SPECIFIC	Vendor Specific Pin, leave unconnected
12	Open Drain-I	TX ON/OFF	High active Transmitter Enable, 10K Ω pull-up inside Transponder Logic High: Transmitter on ; Logic low: Transmitter off
13	-	RESERVED	Reserved
14	O	MOD DETECT	1K Ω to Ground inside Transponder
15	-	VEND SPECIFIC	Vendor Specific Pin, leave unconnected
16	-	VEND SPECIFIC	Vendor Specific Pin, leave unconnected
17	Open Drain-I/O	MDIO	Management Data I/O. Requires external 10-22K Ω pull-up to 1.2V on host
18	1.2V COMS-I	MDC	Management Clock Input
19	1.2V COMS-I	PRTAD4	Port Address bit 4(low=0)
20	1.2V COMS-I	PRTAD3	Port Address bit 3(low=0)
21	1.2V COMS-I	PRTAD2	Port Address bit 2(low=0)
22	1.2V COMS-I	PRTAD1	Port Address bit 1(low=0)
23	1.2V COMS-I	PRTAD0	Port Address bit 0(low=0)
24	-	VEND SPECIFIC	Vendor Specific Pin, leave unconnected
25	I	APS SET	Feedback input for APS, Input of APS setting resistor
26	-	RESERVED	Reserved
27	O	APS SENSE	APS Sense output for APS control circuit
28	I	APS	Adaptive power supply
29	I	APS	Adaptive power supply
30	I	3.3V	Power Supply
31	I	3.3V	Power Supply
32	-	5.0V	Power Supply
33	-	GND	Electrical Ground
34	-	GND	Electrical Ground
35	-	GND	Electrical Ground
36	-	GND	Electrical Ground

37	-	GND	Electrical Ground
38	-	RESERVED	Reserved
39	-	RESERVED	Reserved
40	-	GND	Electrical Ground
41	O	RX LANE 0+	Module XAUI output lane 0+
42	O	RX LANE 0-	Module XAUI output lane 0-
43		GND	Electrical Ground
44	O	RX LANE 1+	Module XAUI output lane 1+
45	O	RX LANE 1-	Module XAUI output lane 1-
46		GND	Electrical Ground
47	O	RX LANE 2+	Module XAUI output lane 2+
48	O	RX LANE 2-	Module XAUI output lane 2-
49		GND	Electrical Ground
50	O	RX LANE 3+	Module XAUI output lane 3+
51	O	RX LANE 3-	Module XAUI output lane 3-
52		GND	Electrical Ground
53		GND	Electrical Ground
54		GND	Electrical Ground
55	I	TX LANE 0+	Module XAUI Input lane 0+
56	I	TX LANE 0-	Module XAUI Input lane 0-
57		GND	Electrical Ground
58	I	TX LANE 1+	Module XAUI Input lane 1+
59	I	TX LANE 1-	Module XAUI Input lane 1-
60		GND	Electrical Ground
61	I	TX LANE 2+	Module XAUI Input lane 2+
62	I	TX LANE 2-	Module XAUI Input lane 2-
63		GND	Electrical Ground
64	I	TX LANE 3+	Module XAUI Input lane 3+
65	I	TX LANE 3-	Module XAUI Input lane 3-
66		GND	Electrical Ground
67		RESERVED	Reserved
68		RESERVED	Reserved
69		GND	Electrical Ground
70		GND	Electrical Ground

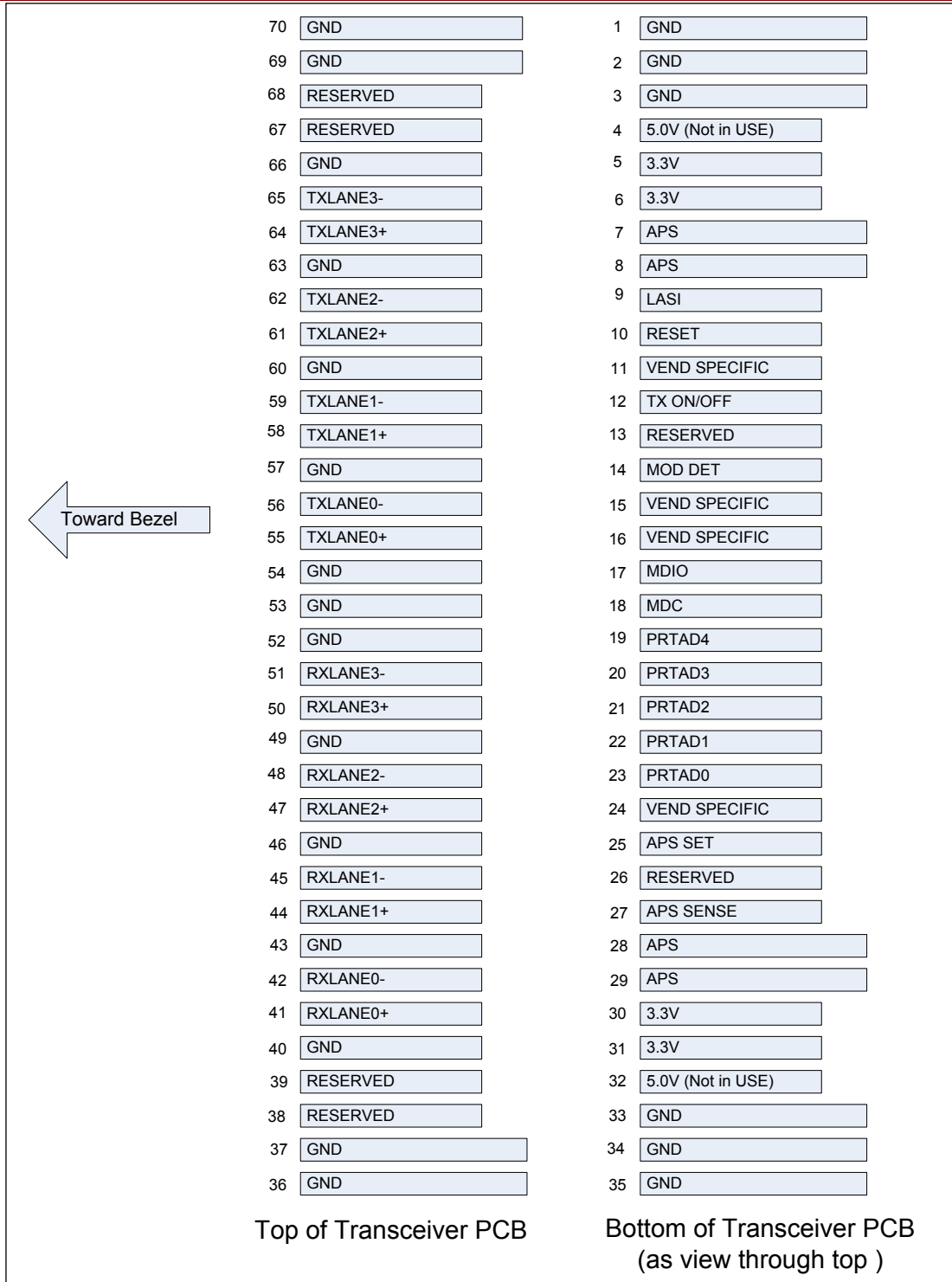


Figure 1. X2 Transponder Electrical Pad Layout

Absolute Maximum Ratings

Stresses in excess of the absolute maximum ratings can cause permanent damage to the device. These are absolute stress ratings only. Functional operation of the device is not implied at these or any other conditions in excess of those given in the operational sections of the data sheet. Exposure to absolute maximum ratings for

extended periods can adversely affect device reliability.

Table 3. Absolute Maximum Ratings

Parameter	Symbol	Minimum	Maximum	Unit
Storage Temperature	T _s	-20	85	°C
Supply Voltage 5.0v	V _{CC5}	0	6.0	V
Supply Voltage 3.3v	V _{CC3}	0	4.0	V
Supply Voltage APS	V _{CC5}	0	1.5	V
Average Receive Optical Power	RXP _{max}		-7	dBm

Recommended Operating Conditions

Table 4. Recommended Operating Conditions

Parameter	Symbol	Min	Typ	Max	Unit
Operating Case Temperature	T _c	0	25	70	°C
Supply Voltage	V _{CC5}	4.75	5.0	5.25	V
Supply Voltage	V _{CC3}	3.135	3.3	3.465	V
Supply Voltage	V _{aps}	1.152	1.2	1.248	V
Total Power Dissipation	-		-	4.0	W

Transponder Electrical Characteristics

Table 5. Transponder Electrical Characteristics

XAUI I/O	Symbol	Minimum	Typical	Maximum	Unit	Notes
XAUI Data Rate	DR	-	3.125		Gb/s	-
XAUI Baud Rate Tolerance		-100	-	+100	ppm	-
XAUI Eye Mask	According to IEEE 802.3ae					
Output Differential Impedance	Z _{OUT_XAUI}	80	100	120	Ω	
Differential Input Amplitude	V _{in_xaui}	220		1600	mv	1
Differential Output Amplitude	V _{out_xaui}	800		1600	mv	1
Total Jitter	T _{JXAUI}			0.35	UI	2
Deterministic Jitter	D _{JXAUI}			0.37	UI	2
1.2V CMOS I/O						
Output High Voltage	V _{OH}	1	-	-	V	-
Output Low Voltage	V _{OL}	-	-	0.15	V	-
Input High Voltage	V _{IH}	0.84	-	1.5	V	-
Input Low Voltage	V _{IL}	-	-	0.36	V	-
MDIO I/O						

Output High Voltage	V_{OHM}	1.0	-	1.5	V	-
Output Low Voltage	V_{OLM}	-0.3	-	0.2	V	
Input High Voltage	V_{IHM}	0.84	-	1.5	V	
Input Low Voltage	V_{ILM}	-0.3		0.36	V	
MDIO Data Hold Time	t_{HOLD}	10			ns	
MDIO Data Setup Time	t_{SU}	10			ns	
Delay from MDC Rising Edge to MDIO Data Change	t_{DELAY}			300	ns	
MDC Clock Rate	f_{MAX}			2.5	MHz	

Notes:

1. Internally AC coupled.
2. XAUI Output ,No pre-equalization.

Transmitter Optical Characteristics

Table 6. Transmitter Optical Characteristics

Parameter	Symbol	Minimum	Typical	Maximum	Unit	Notes
Operating Data Rate	-	-	10.3125	-	Gb/s	-
Launch Average Optical Power	P_o	0	-	+4	dBm	1
Center Wavelength Range	λ_c	1464.5	-	1617.5	nm	-
Center Wavelength Tolerance	$\Delta\lambda_c$	-6.5		6.5	nm	
Side Mode Suppression Ratio	SMSR	30			dB	
Extinction Ratio	EX	9	-	-	dB	-
Dispersion Penalty@ 1600ps/nm	TDP	-	-	2.0	dB	-
Average Optical Power (Laser Off)	P_{OFF}	-	-	-30	dBm	1
Eye Diagram			IEEE802.3ae Compliant			

Notes:

1. The optical power is launched into 9/125 μ m SMF..

Receiver Optical Characteristics

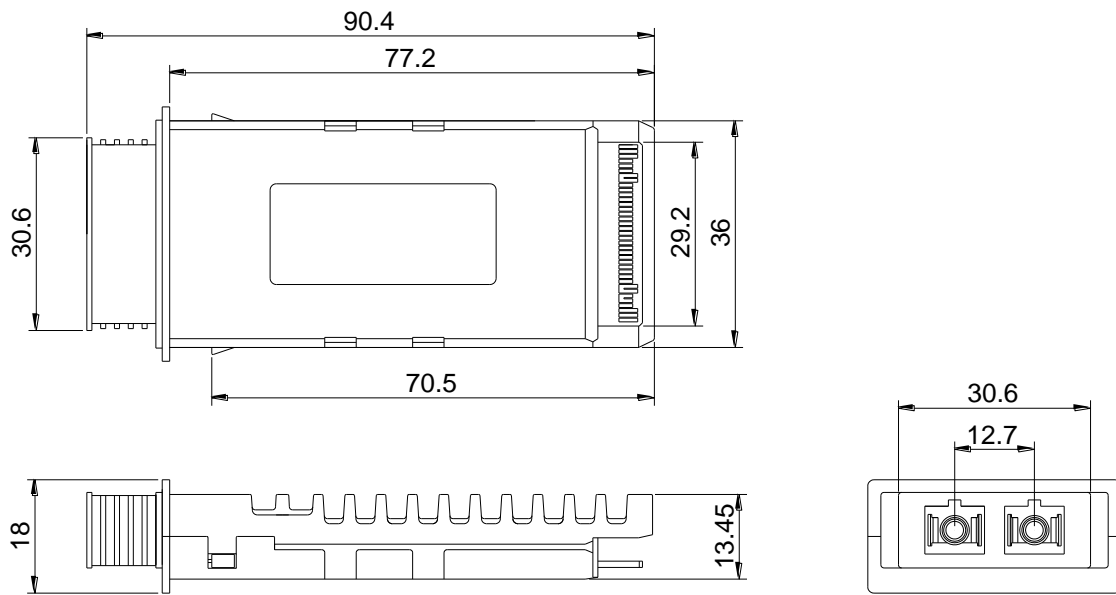
Table 7. Receiver Optical Characteristics

Parameter	Symbol	Minimum	Typical	Maximum	Unit	Notes
Operating Data Rate	-	-	10.3125	-	Gb/s	-
Center Wavelength	λ_c	1460	-	1620	nm	
Receiver Overload (P_{avg})	P_{OL}	-7	-	-	dBm	1
Average sensitivity	S			-24.0	dBm	1
Optical Return Loss	ORL	27	-	-	dB	-

Notes:

1. PRBS 2³¹-1 test pattern, BER<10⁻¹².

Mechanical specifications



For More Information



LX535xCDR
10Gb/s 1550nm X2 Optical Transponder
10GBASE-ER 40Km Reach

Linktel Technologies Co., Ltd

sales@linkteltech.com

<http://www.linkteltech.com>

Linktel China

No.20 University Science Park Road, East-lake Hi-tech Development Zone, Wuhan, 430223, China

Tel: +86 27-87929302

Linktel USA

3311 Ingersoll Court, San Jose, CA 95148

Tel: +1(408)833-9142

linktelus@linkteltech.com