

Product Features

- Electrical interface specifications per SFF-8431
- Management interface specifications per SFF-8431 and SFF-8472
- SFP+ MSA package with duplex LC connector
- DWDM-rated EML Transmitter
- Up to 6.144Gb/s bi-directional data links
- 100GHz ITU Grid, C-Band
- Single +3.3V power supply
- Class 1 laser safety certified
- Operating temperature:-40°C to +85°C
- Up to 80km on 9/125µm SMF
- RoHS Compliant



Descriptions

LX47xxIWR SFP+ transceivers, according to Enhanced Small Form Factor Pluggable “SFP+” Multi-Sourcing Agreement (MSA) SFF-8431 and SFF-8472, revision 10.4, are designed for use in DWDM 6G wireless application of links up to 80km over single mode fiber.

They are compatible with CPRI standards.

Ordering Information

Table 1. Ordering Information

Part Number	Transmitter	Output Power	Receiver	Sensitivity	Reach	Temp	DDM	RoHS
LX47xxIWR	DWDM EML	0~ +4dBm	APD	< -24dBm	80km	-40 ~ 85 °C	Available	Compliant

Notes: See Table 2 – Wavelength Guide for “xx” value.

Table 2. Wavelength Guide for “xx” value (100GHz ITU-T channel)

Channel #	Product Part Number	Frequency (THz)	Center Wavelength (nm)
17	LX4717IWR	191.7	1563.86
18	LX4718IWR	191.8	1563.05
19	LX4719IWR	191.9	1562.23
20	LX4720IWR	192.0	1561.42
21	LX4721IWR	192.1	1560.61
22	LX4722IWR	192.2	1559.79

23	LX4723IWR	192.3	1558.98
24	LX4724IWR	192.4	1558.17
25	LX4725IWR	192.5	1557.36
26	LX4726IWR	192.6	1556.55
27	LX4727IWR	192.7	1555.75
28	LX4728IWR	192.8	1554.94
29	LX4729IWR	192.9	1554.13
30	LX4730IWR	193.0	1553.33
31	LX4731IWR	193.1	1552.52
32	LX4732IWR	193.2	1551.72
33	LX4733IWR	193.3	1550.92
34	LX4734IWR	193.4	1550.12
35	LX4735IWR	193.5	1549.32
36	LX4736IWR	193.6	1548.51
37	LX4737IWR	193.7	1547.72
38	LX4738IWR	193.8	1546.92
39	LX4739IWR	193.9	1546.12
40	LX4740IWR	194.0	1545.32
41	LX4741IWR	194.1	1544.53
42	LX4742IWR	194.2	1543.73
43	LX4743IWR	194.3	1542.94
44	LX4744IWR	194.4	1542.14
45	LX4745IWR	194.5	1541.35
46	LX4746IWR	194.6	1540.56
47	LX4747IWR	194.7	1539.77
48	LX4748IWR	194.8	1538.98
49	LX4749IWR	194.9	1538.19
50	LX4750IWR	195.0	1537.40
51	LX4751IWR	195.1	1536.61
52	LX4752IWR	195.2	1535.82
53	LX4753IWR	195.3	1535.04
54	LX4754IWR	195.4	1534.25
55	LX4755IWR	195.5	1533.47
56	LX4756IWR	195.6	1532.68
57	LX4757IWR	195.7	1531.90
58	LX4758IWR	195.8	1531.12
59	LX4759IWR	195.9	1530.33

60	LX4760IWR	196.0	1529.55
61	LX4761IWR	196.1	1528.77

Pin Description

Table 3. Pin Description

Pin	Name	Function/Description	Notes
1	VeeT	Transmitter Ground	1
2	TX_Fault	Transmitter Fault (LVTTTL-O) - High indicates a fault condition	2
3	TX_Disable	Transmitter Disable (LVTTTL-I) – High or open disables the transmitter	3
4	SDA	Two wire serial interface Data Line (LVCMOS-I/O) (MOD-DEF2)	4
5	SCL	Two wire serial interface Clock Line (LVCMOS-I/O) (MOD-DEF1)	4
6	MOD_ABS	Module Absent (Output), connected to VeeT or VeeR in the module	5
7	RS0	Rate Select 0 – Not used, Presents high input impedance	-
8	RX_LOS	Receiver Loss of Signal (LVTTTL-O)	2
9	RS1	Rate Select 1 – Not used, Presents high input impedance	-
10	VeeR	Receiver Ground	1
11	VeeR	Receiver Ground	1
12	RD-	Inverse Received Data out (CML-O)	-
13	RD+	Received Data out (CML-O)	-
14	VeeR	Receiver Ground	-
15	VccR	Receiver Power - +3.3V	-
16	VccT	Transmitter Power - +3.3 V	-
17	VeeT	Transmitter Ground	1
18	TD+	Transmitter Data In (CML-I)	-
19	TD-	Inverse Transmitter Data In (CML-I)	-
20	VeeT	Transmitter Ground	1

Notes:

1. The module signal grounds are isolated from the module case.
2. This is an open collector/drain output that on the host board requires a 4.7KΩ to 10KΩ pull-up resistor to VccHost.
3. This input is internally biased high with a 4.7KΩ to 10KΩ pull-up resistor to VccT.
4. Two-Wire Serial interface clock and data lines require an external pull-up resistor dependent on the capacitance load.
5. This is a ground return that on the host board requires a 4.7KΩ to 10KΩ pull-up resistor to VccHost.

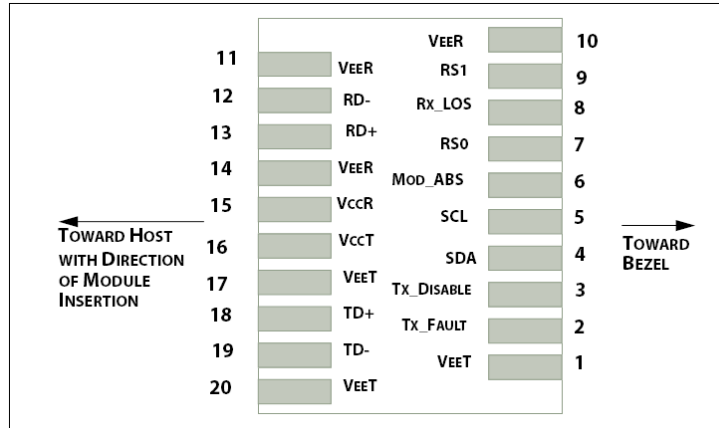


Figure 1. Host PCB SFP+ pad assignment top view

Absolute Maximum Ratings

Stresses in excess of the absolute maximum ratings can cause permanent damage to the device. These are absolute stress ratings only. Functional operation of the device is not implied at these or any other conditions in excess of those given in the operational sections of the data sheet. Exposure to absolute maximum ratings for extended periods can adversely affect device reliability.

Table 4. Absolute Maximum Ratings

Parameter	Symbol	Minimum	Maximum	Unit
Storage Temperature	T _s	-40	85	°C
Relative Humidity	RH	5	95	%
Supply Voltage	V _{cc}	-0.5	4.0	V

Recommended Operating Conditions

Table 5. Recommended Operating Conditions

Parameter	Symbol	Min	Typ	Max	Unit
Operating Case Temperature	T _c	-40	25	85	°C
Supply Voltage	V _{cc}	3.135	3.3	3.465	V
Data Rate	-	-	6.144	-	Gb/s

Transceiver Electrical Characteristics

Table 6. Transceiver Electrical Characteristics

Parameter	Symbol	Minimum	Typical	Maximum	Unit	Notes
Module Supply Current	I _{cc}	-	300	550	mA	-
Power Dissipation	P _D	-	1000	1800	mW	-

Transmitter							
Input Differential Impedance		Z_{IN}	-	100	-	Ω	-
Differential Data Input Swing		$V_{IN, P-P}$	180	-	700	mV _{P-P}	-
TX_FAULT	Transmitter Fault	V_{OH}	2.0	-	V_{CCHOST}	V	-
	Normal Operation	V_{OL}	0	-	0.8	V	-
TX_DISABLE	Transmitter Disable	V_{IH}	2.0	-	V_{CCHOST}	V	-
	Transmitter Enable	V_{IL}	0	-	0.8	V	-
Receiver							
Output Differential Impedance		Z_O	-	100	-	Ω	-
Differential Data Output Swing		$V_{OUT, P-P}$	300	-	850	mV _{P-P}	1
Data Output Rise Time, Fall Time		t_r, t_f	28	-	-	ps	2
RX_LOS	Loss of signal (LOS)	V_{OH}	2.0	-	V_{CCHOST}	V	3
	Normal Operation	V_{OL}	0	-	0.8	V	3

Notes:

1. Internally AC coupled, but requires a external 100 Ω differential load termination.
2. 20–80%.
3. LOS is an open collector output. Should be pulled up with 4.7K Ω on the host board.

Transmitter Optical Characteristics

Table 7. Transmitter Optical Characteristics

Parameter	Symbol	Minimum	Typical	Maximum	Unit	Notes
Launch Optical Power	P_o	0	-	4	dBm	1
Center Wavelength Range	λ_c	1528.77	-	1563.86	nm	-
Center Wavelength Spacing	-	-	100	-	GHz	-
Center Wavelength Tolerance	$\Delta\lambda_c$	-100	-	100	pm	-
Extinction Ratio	EX	6	-	-	dB	2
Side Mode Suppression Ratio	SMSR	30	-	-	dB	-
Transmitter and Dispersion Penalty	TDP	-	-	3.0	dB	-
Relative Intensity Noise	RIN	-	-	-128	dB/Hz	-
Optical Return Loss Tolerance	ORLT	-	-	21	dB	-
Pout @TX-Disable Asserted	P_{off}	-	-	-30	dBm	1

Notes:

1. The optical power is launched into 9/125 μ m SMF.
2. Measured with a PRBS 2³¹-1 test pattern @6.144Gbps.

Receiver Optical Characteristics

Table 8. Receiver Optical Characteristics

Parameter	Symbol	Minimum	Typical	Maximum	Unit	Notes
Center Wavelength	λ_c	1528	-	1565	nm	-

Receiver Sensitivity (P_{avg})	S	-	-	-24	dBm	1
Receiver Overload (P_{avg})	Pol	-7.0	-	-	dBm	1
Optical Return Loss	ORL	26	-	-	dB	-
LOS De-Assert	LOS _D	-	-	-24	dBm	-
LOS Assert	LOS _A	-35	-	-	dBm	-
LOS Hysteresis	-	0.5	-	-	dB	-

Notes:

1. Measured with PRBS 2³¹-1 test pattern, 6.144Gb/s, BER<10⁻¹².
2. Comply with IEEE 802.3-2005.

Recommended Host Board Power Supply Filter Network

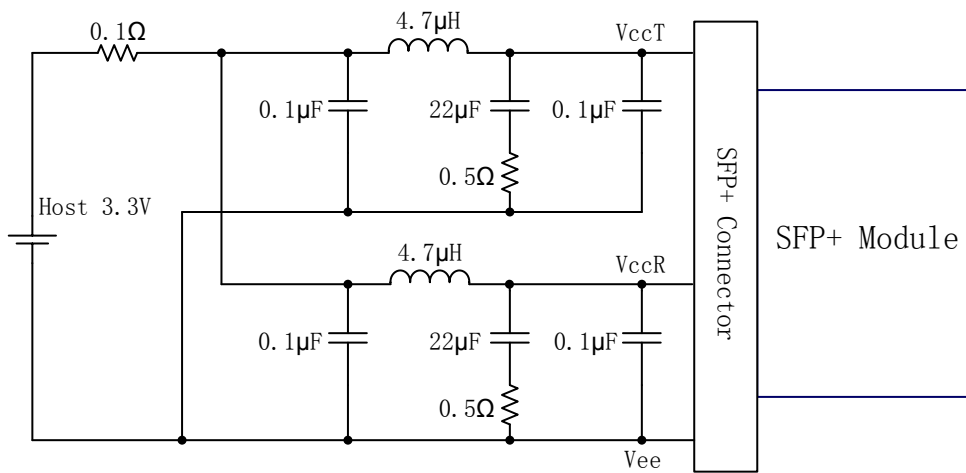


Figure 2. Recommended Host Board Power Supply Filter Network

Recommended Application Interface Block Diagram

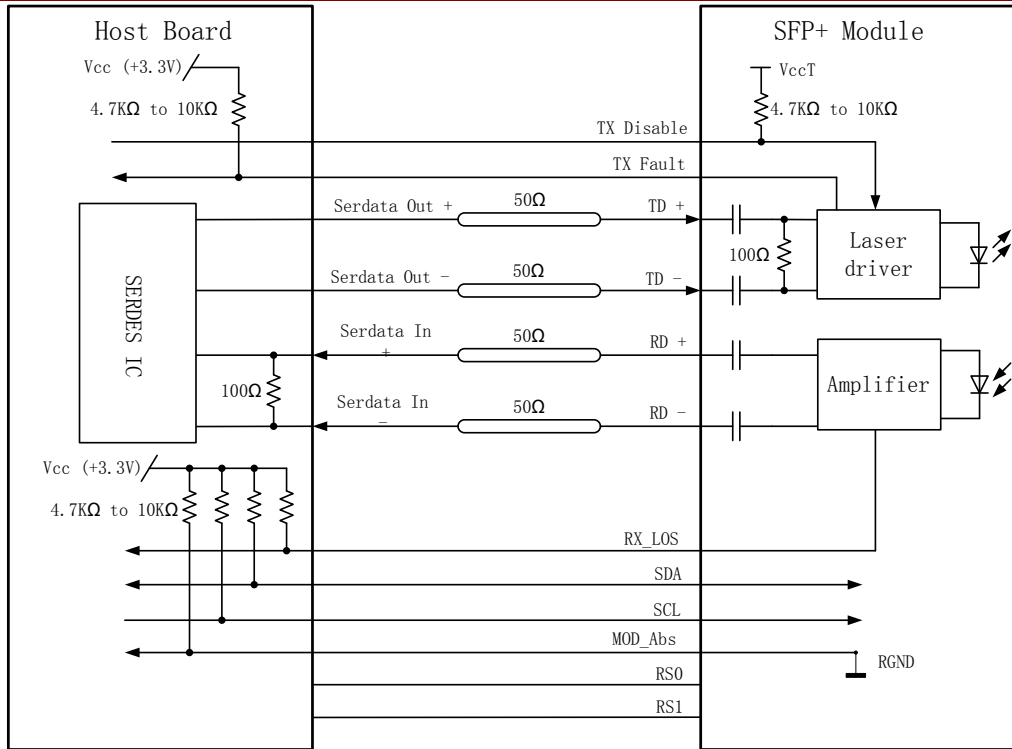


Figure 3. Recommended Application Interface Block Diagram

Mechanical specifications

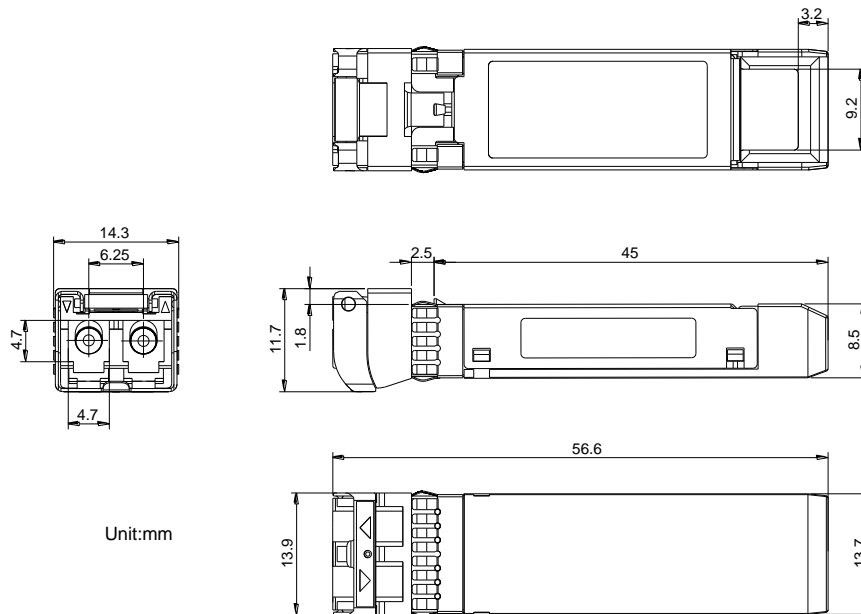


Figure 4. Outline Drawing

PCB layout recommendation

- Notes:
1. Datum and basic dimensions established by customer
 2. Pads and vias are chassis ground, 11 places
 3. Thru holes, plating optional

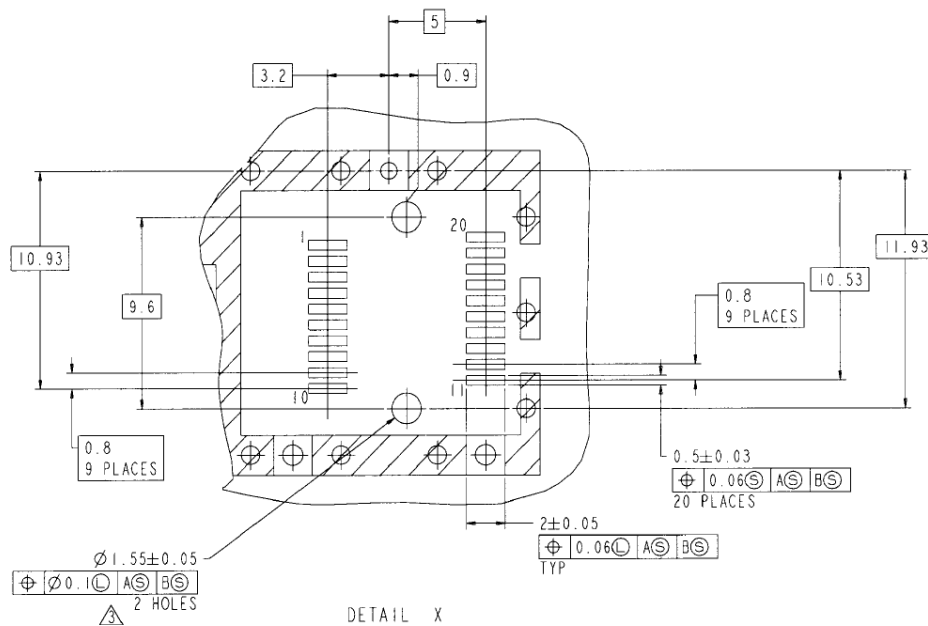
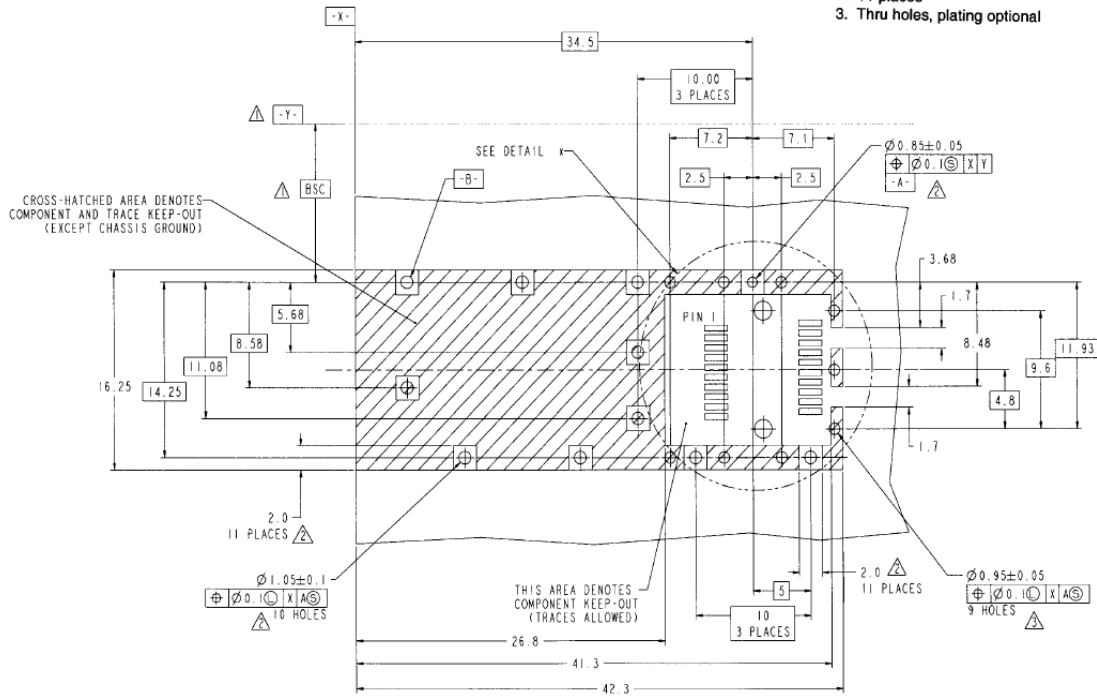


Figure 5. PCB layout recommendation

For More Information



LX47xxIWR
6G 80km DWDM SFP+ Transceiver
6G CPRI&OBSAI

Linktel Technologies Co., Ltd

sales@linkteltech.com

<http://www.linkteltech.com>

Linktel China

No.20 University Science Park Road,East-lake Hi-tech Development Zone, Wuhan, 430223, China

Tel: +86 27-87929302

Linktel USA

3311 Ingersoll Cout,San Jose,CA 95148

Tel: +1(408)833-9142

linktelus@linkteltech.com